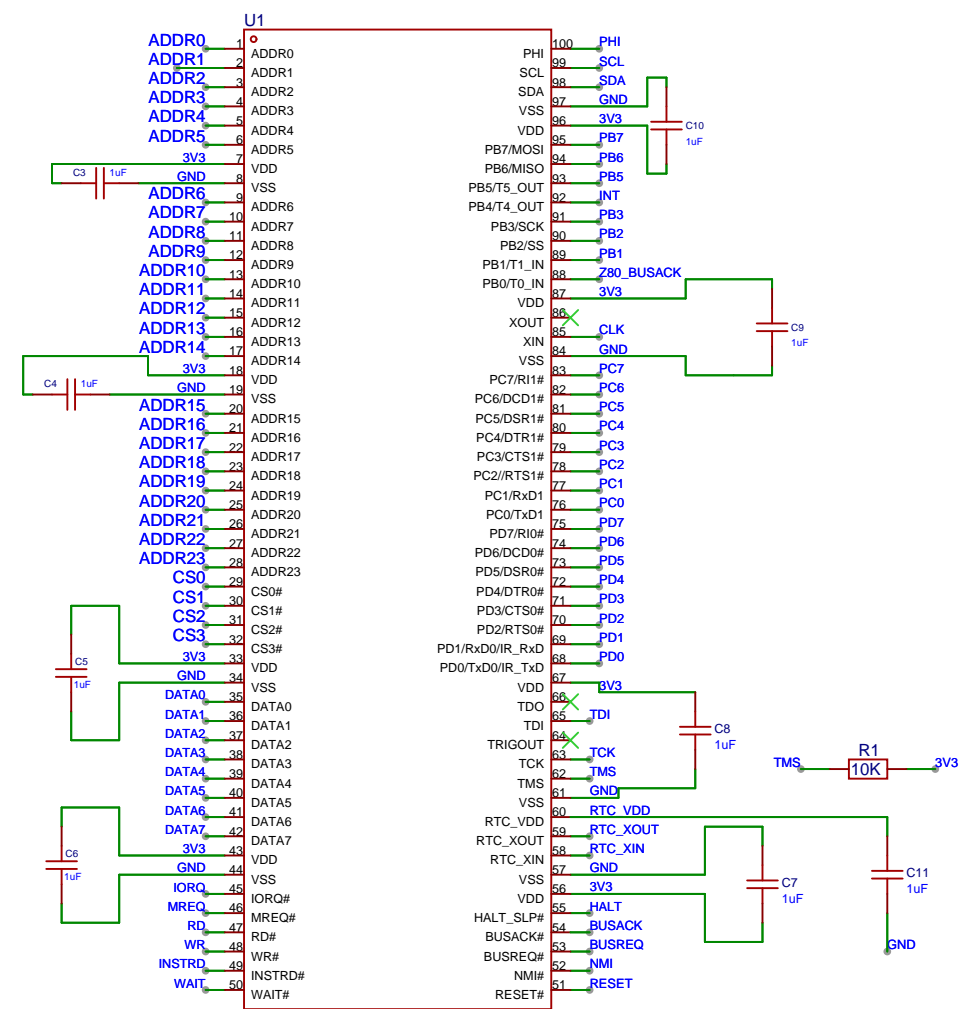


1. use solder pins with a diameter between 15mil (0.38mm) and 25mil (0.635mm)
2. length below pcb at least 111mil (2.82mm) and most 146mil (3.7mm)



EZ80F92AZ020EG

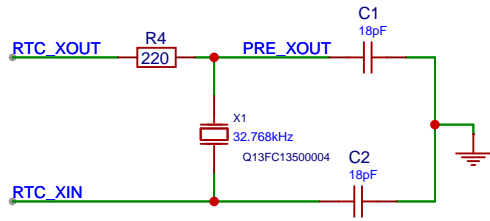
LQFP-100_L14.0-W14.0-P0.50-LS16.0-BL-EP-DINO

EZ80

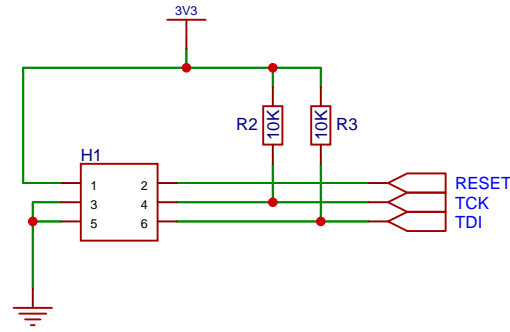
1 MAIN

Created:	2024-05-14
Updated:	2024-10-02
Version:	V1.3
Count:	2

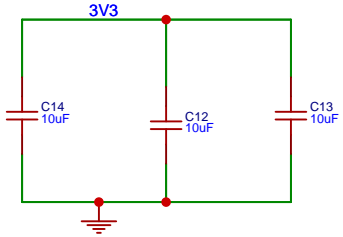
RTC CLOCK



ZDI



POWER



EZ80

Dino Boards



2 ON-BOARD

Created:	2024-05-31
Updated:	2024-10-02
Version:	V1.3
Count:	2