

1. Use Round Machine Sockets for CPU's socket
2. To take pins to be diameter between 15mil (0.38mm) and 25mil (0.635mm)



**EZ80-INTERFACE**

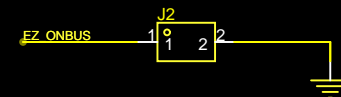
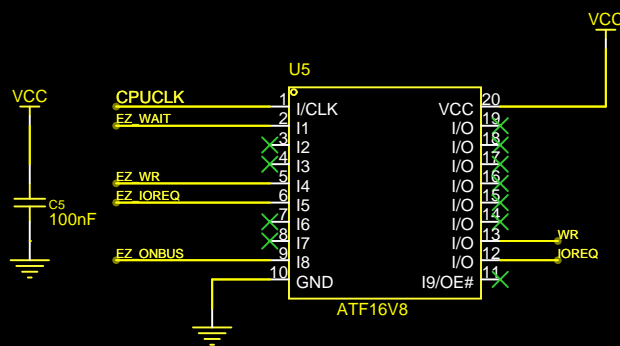
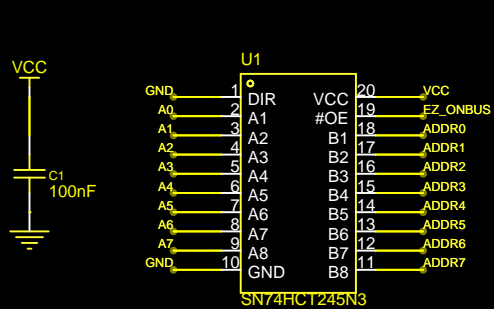
Created: 2024-05-13

Updated: 2025-01-30

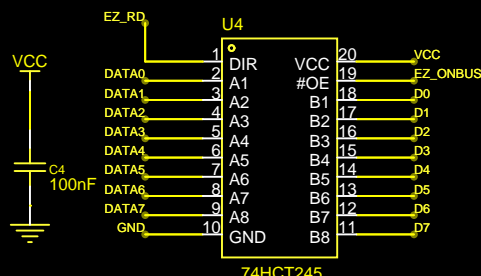
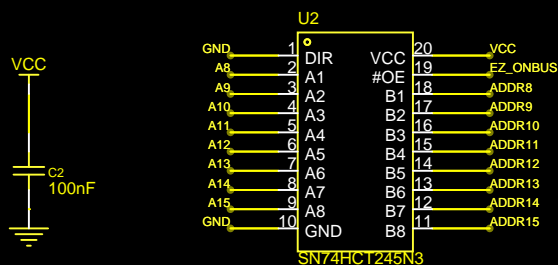
Version: V1.10

Count: 4

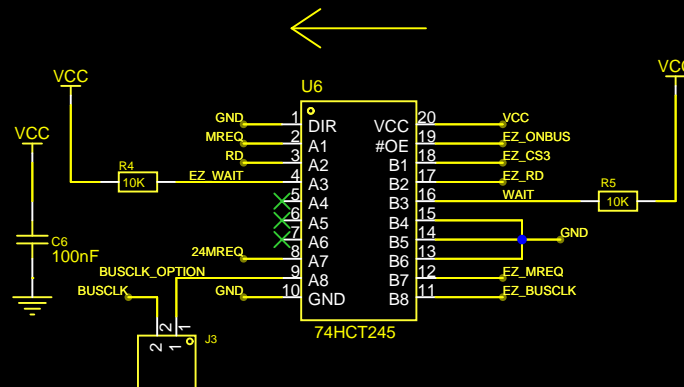
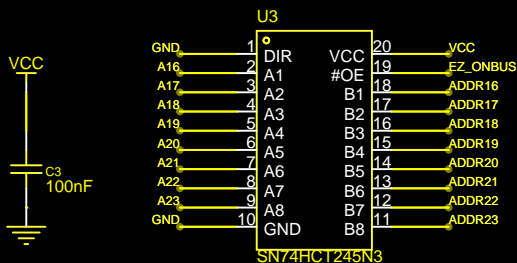
**1 MAIN**



RD LOW  
RD HIGH



1. RD/WR HIGH => BUS DATA LINE DRIVEN, EZ80 TRI
2. RD LOW => BUS DATA LINE TRI, EZ80 DATA DRIVEN
3. WR LOW => BUS DATA LINE DRIVEN, EZ80 TRI





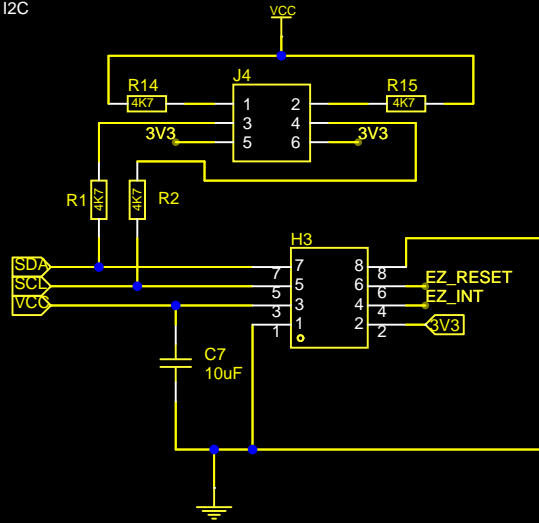
**EZ80-INTERFACE**

Created:	2024-05-14
Updated:	2025-01-30
Version:	V1.10
Count:	4

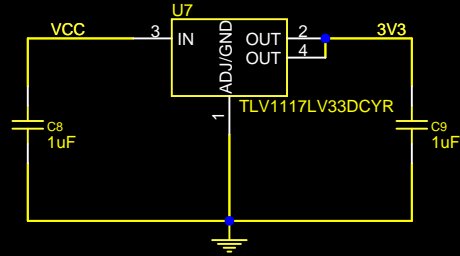
**INTERFACE**

Created:	2024-05-14
Updated:	2025-01-30
Version:	V1.10
Count:	4

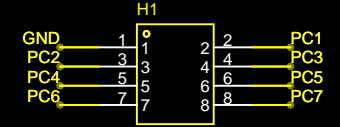
I2C



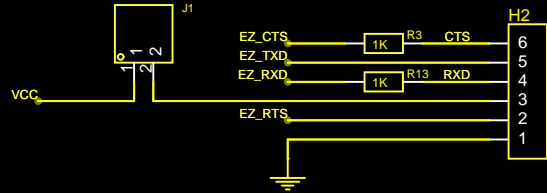
POWER



GPIO-PC1-7



UART



SPI



EZ80-INTERFACE

3 ON-BOARD

Created:	2024-05-14
Updated:	2025-01-30
Version:	V1.10
Count:	4