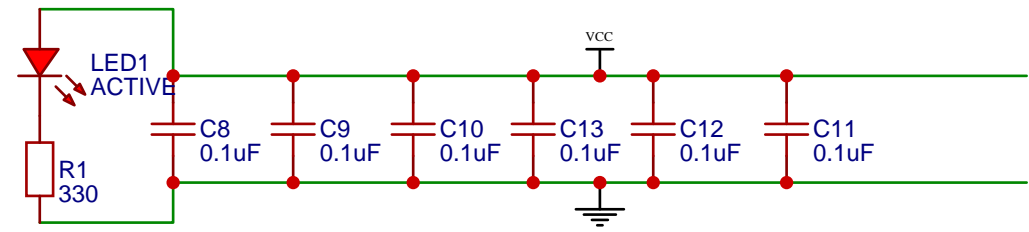
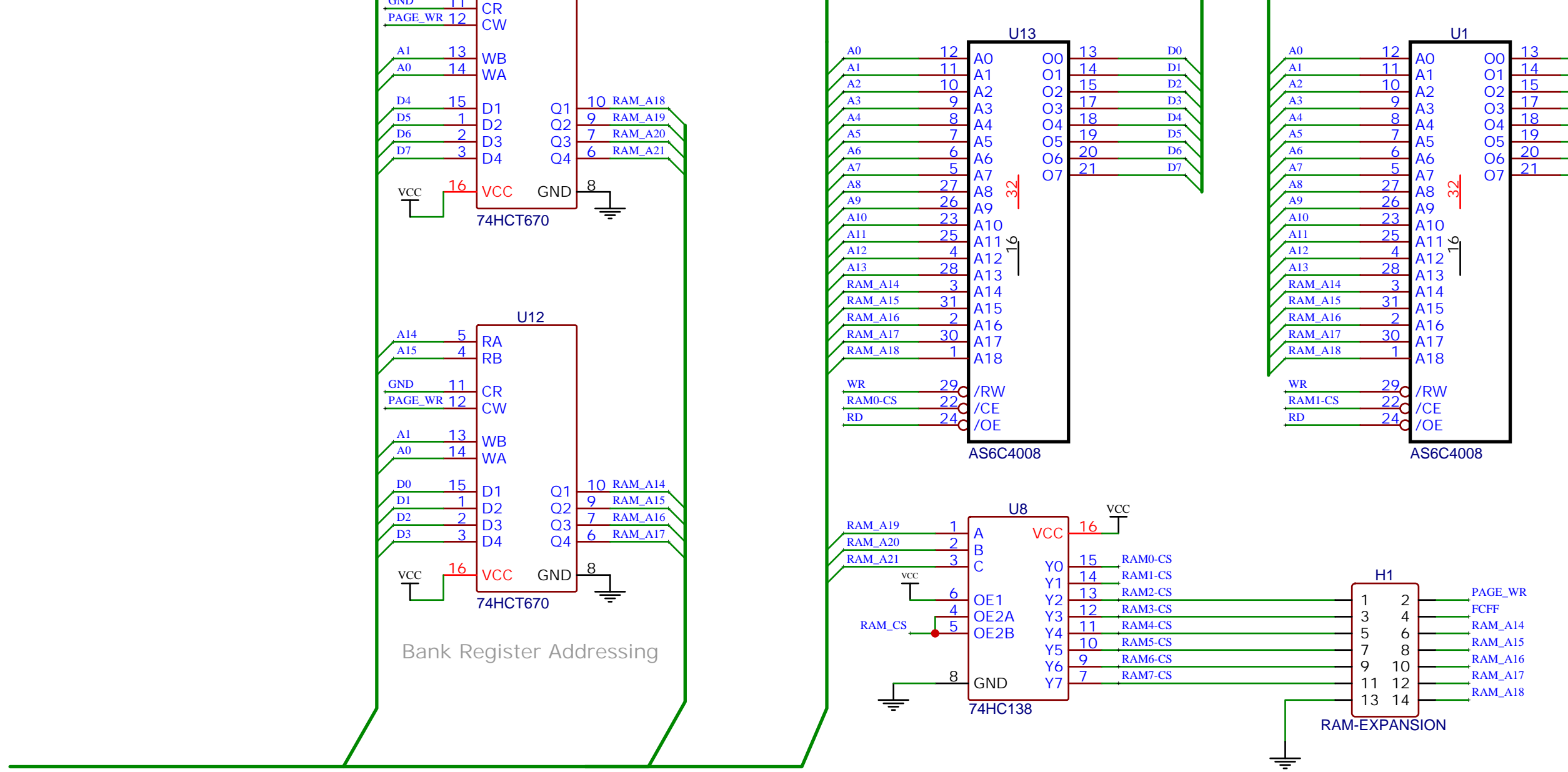


| | | |
|-----------------------|----------------------|--------------------------|
| TITLE: RC2014-MSX-ROM | | REV: 1.4 |
| EasyEDA | Company: Dino Boards | Sheet: 1/1 |
| | Date: 2021-03-20 | Drawn By: dean.netherton |



| | | |
|------------------------------|----------------------|--------------------------|
| TITLE: RC2014-MSX-MEMORY-RAM | | REV: 1.4 |
| | Company: Dino Boards | Sheet: 1/1 |
| | Date: 2021-103-20 | Drawn By: dean.netherton |