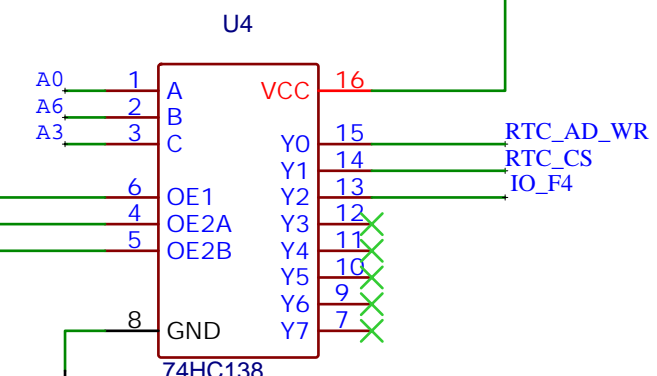
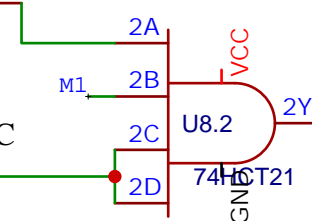
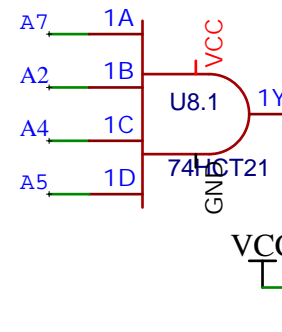
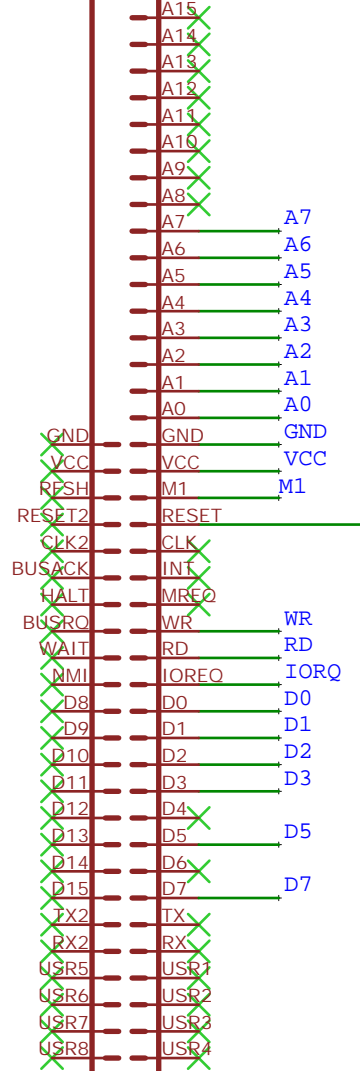
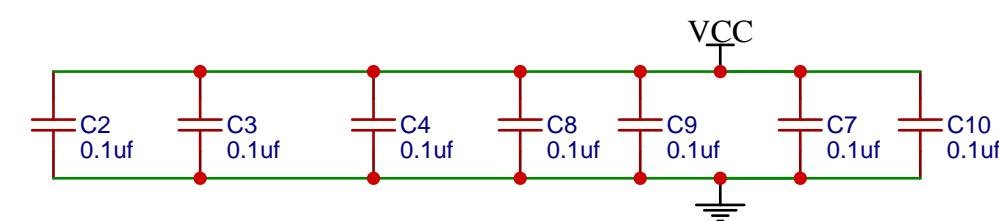
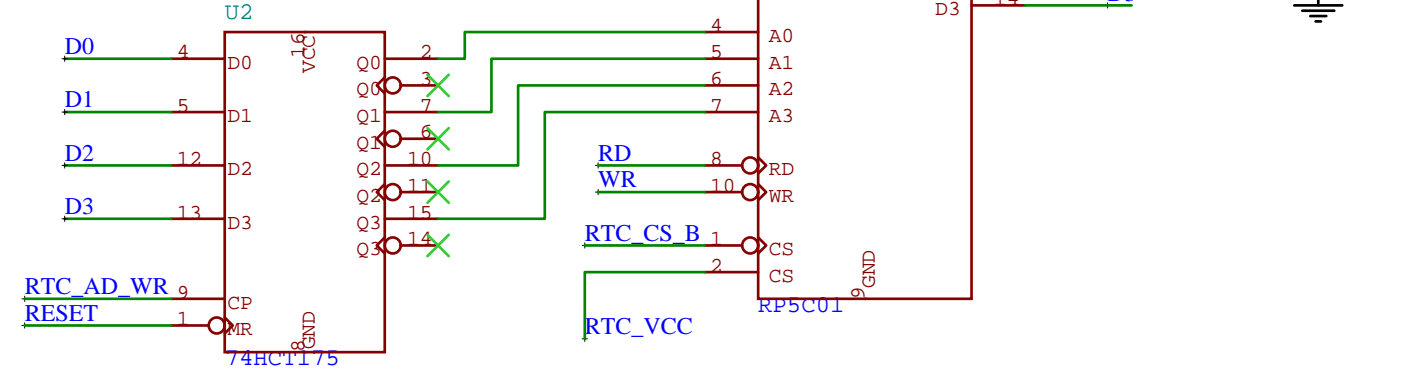
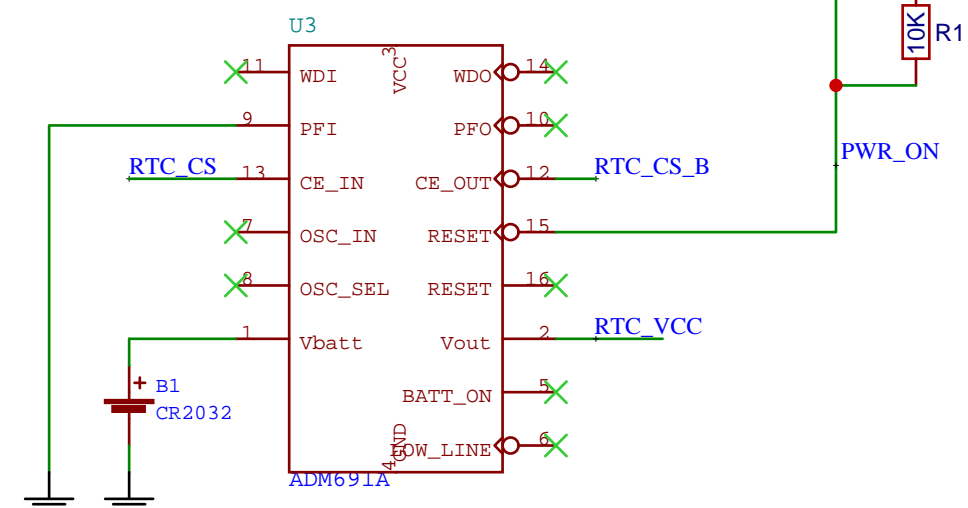


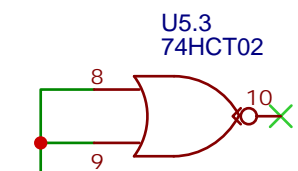
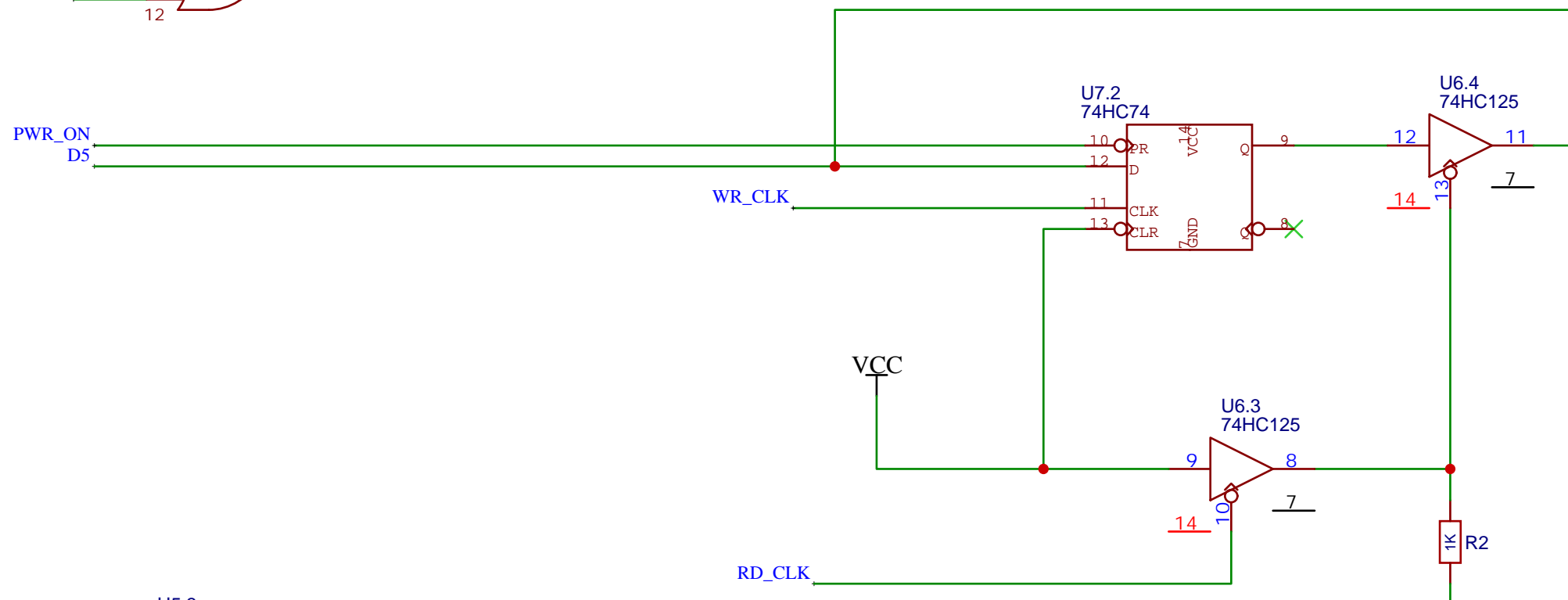
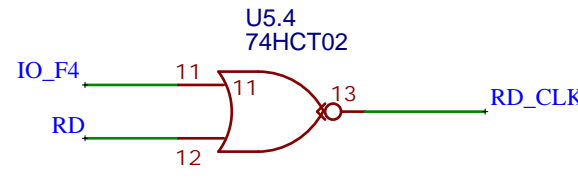
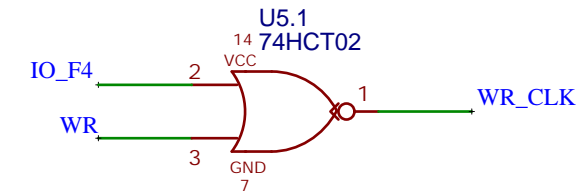
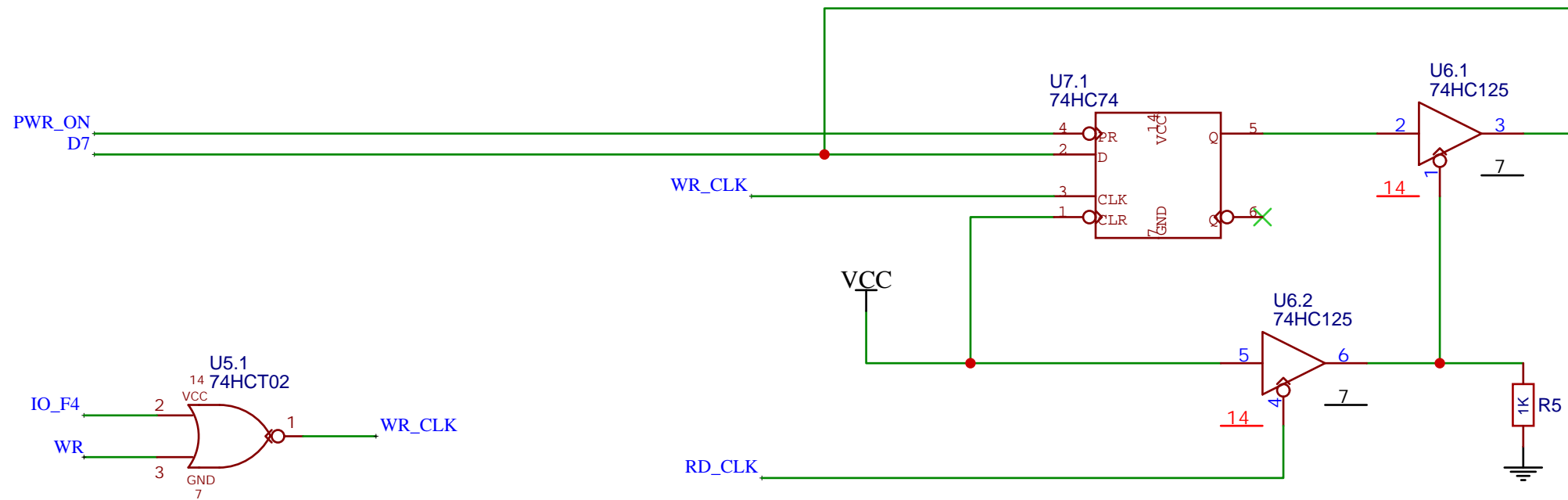
BUS1
RC2014 LARGE BOARD



Y0: IO ADDR: \$B4
Y1: IO ADDR: \$B5
Y2: IO ADDR: \$F4



TITLE: RC2014-MSX-RTC		REV: 1.3
	Company: DINO BOARDS	Sheet: 1/1
	Date: 2020-10-04	Drawn By: dean.netherton



TITLE: RC2014-MSX-RTC-F4		REV: 1.0
	Company: DINO BOARDS	Sheet: 1/1
	Date: 2021-05-13	Drawn By: dean.netherton