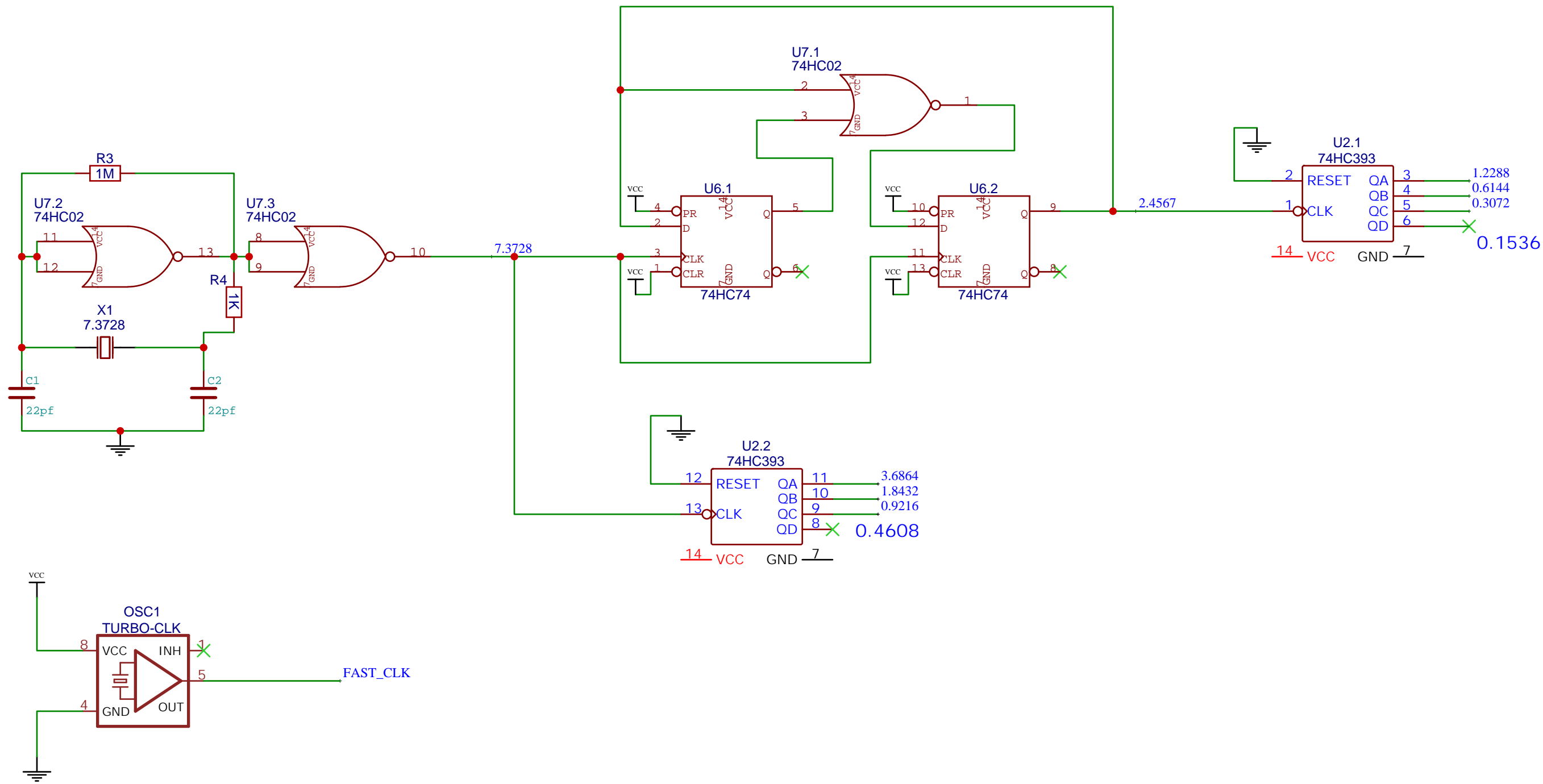
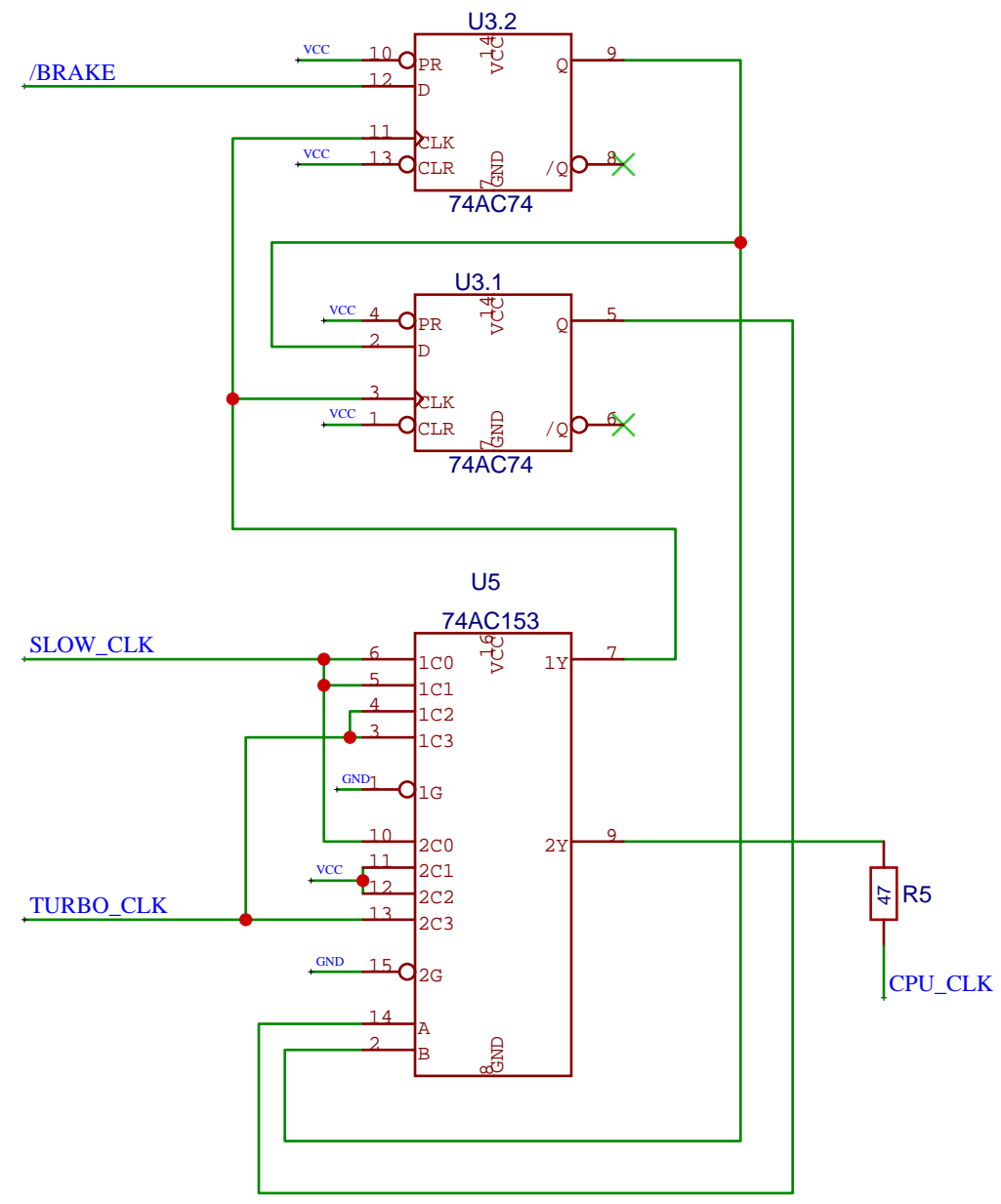
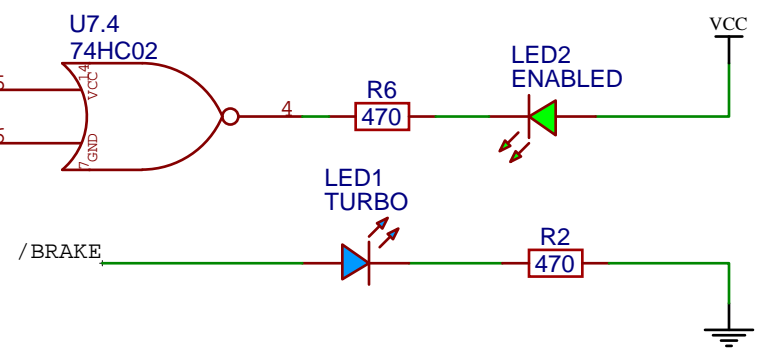
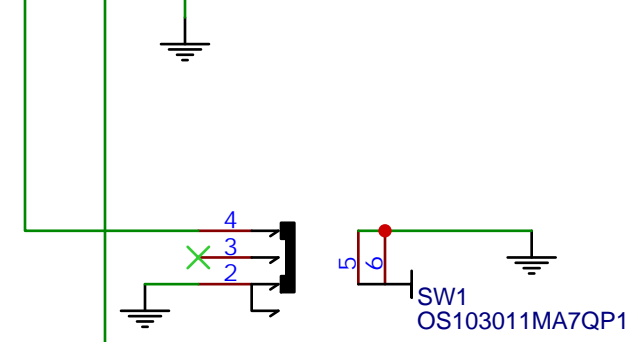
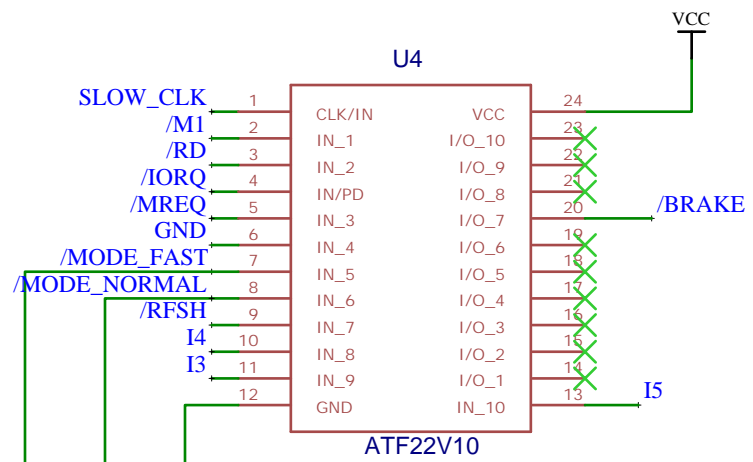
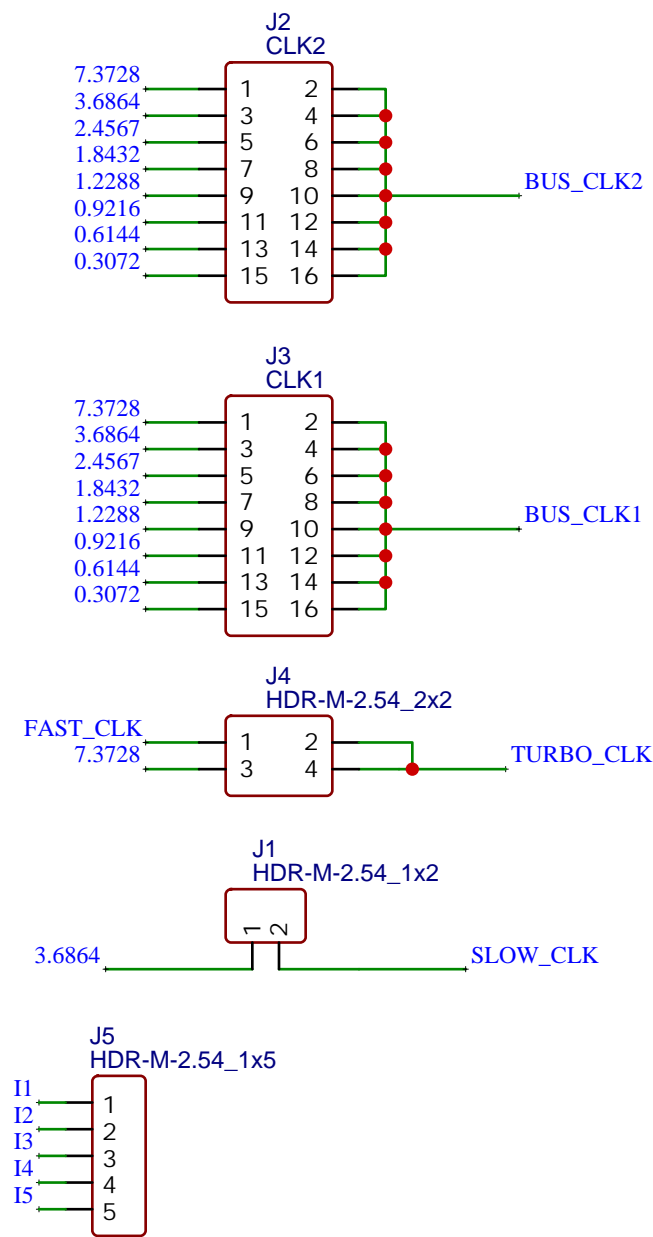


TITLE: RC2014-MSX-CPU		REV: 1.7
EasyEDA	Company: Dino Boards	Sheet: 1/3
	Date:	Drawn By: dean.netherton



TITLE: RC2014-MSX-CPU-CLKS		REV: 1.7
EasyEDA	Company: Dino Boards	Sheet: 2/3
	Date:	Drawn By: dean.netherton



TITLE: RC2014-MSX-CPU-REGS		REV: 1.7
	Company: Dino Boards	Sheet: 3/3
	Date:	Drawn By: dean.netherton